



Opteon™ SF80

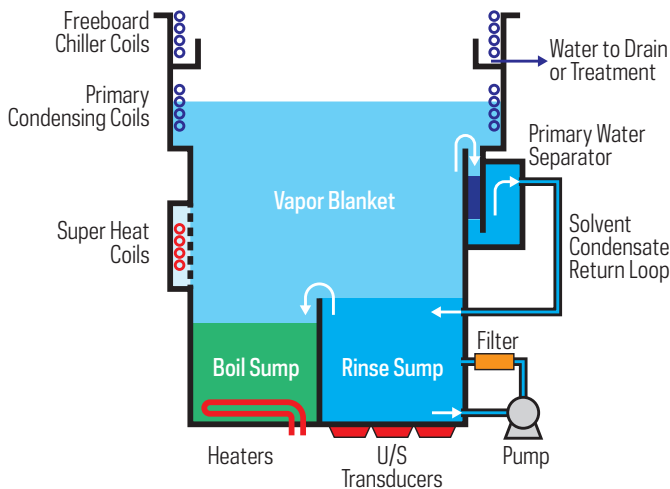
Specialty Fluid

For Use in Vapor Degreasing

Technical Information

What is vapor degreasing?

Vapor degreasing is a precision cleaning technique used to dissolve greases and remove soils from metal parts. Over the course of the manufacturing process, parts ranging from ball bearings to printed circuit boards become contaminated. Manufacturers employ vapor degreasing to ensure that performance, quality, reliability, and aesthetics are not impacted by these impurities.



What types of industries use vapor degreasing, and where is it used?

- Automotive
 - Fuel injection, anti-lock braking systems, compressors, relays, sensors, switches
- Aerospace
 - Fuel injection, landing gear, printed circuit boards
- Medical Devices
 - Eyewear, catheters, surgical devices/needles, implants
- High-End Consumer Goods
 - Watches, jewelry, camera lenses, flat panel displays, optical assemblies
- Electronics/Semi-Conductors
 - Printed circuit boards, electrical contacts, cables, optical fibers, silicon wafer front opening unified pods (FOUPs), and flip chips

What problems do manufacturers face when it comes to vapor degreasing?

The biggest challenge facing manufacturers who utilize vapor degreasing is the need for a safe and sustainable solvent. The most commonly used solvent, n-Propyl Bromide (nPB), poses a safety risk to workers upon exposure, and regulations have banned the use of HCFCs like AK-225. Many manufacturers are now looking for solutions that are safe for their employees and the environment, without sacrificing performance.

What is Opteon™ SF80 specialty fluid, and why are manufacturers converting to it?

Opteon™ SF80 specialty fluid is a vapor degreasing solvent that is suitable to replace n-Propyl Bromide and other industrial solvents across many demanding cleaning applications. Opteon™ SF80 is a high solvency, nonflammable, and environmentally sustainable precision cleaning solvent with low global warming potential (GWP <2.5) and does not contain any fluorinated greenhouse gases. The benefits of Opteon™ SF80 include, but are not limited to:

- Fast drying, increasing productivity
- Compatible with most metals and elastomers
- Nonflammable and low toxicity
- Negligible ozone depletion potential (ODP)
- Low global warming potential (GWP)
- Superior cleaning performance (Kb value = 99)

What specific products can Opteon™ SF80 specialty fluid replace?

- Trichloroethylene (TCE)
- n-Propyl Bromide (nPB)
- Lenium
- EnSolv
- AK-225
- Novec 72DE
- Solstice PF
- TF-113
- Water

For additional information on Opteon™ SF80 or other specialty fluids products by Chemours, please visit vertrel.com or call 800-969-4758.

The information set forth herein is furnished free of charge and based on technical data that Chemours believes to be reliable. It is intended for use by persons having technical skill, at their own risk. Because conditions of use are outside our control, Chemours makes no warranties, express or implied, and assumes no liability in connection with any use of this information. Nothing herein is to be taken as a license to operate under, or a recommendation to infringe, any patents or patent applications.

© 2019 The Chemours Company FC, LLC. Opteon™ and any associated logos are trademarks or copyrights of The Chemours Company FC, LLC. Chemours™ and the Chemours Logo are trademarks of The Chemours Company.